

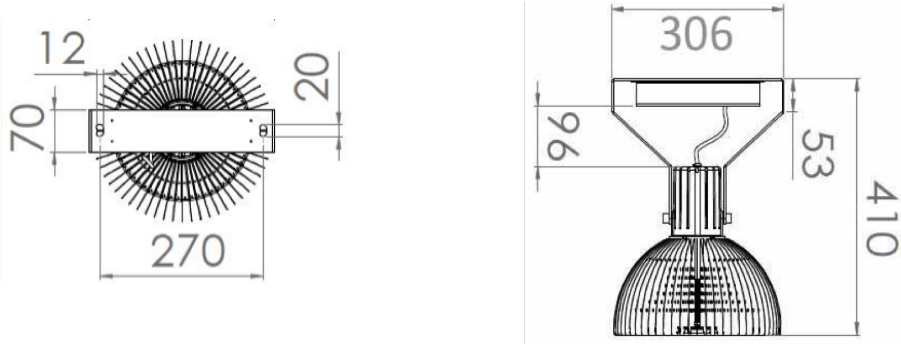


Anteya Power Product Specs

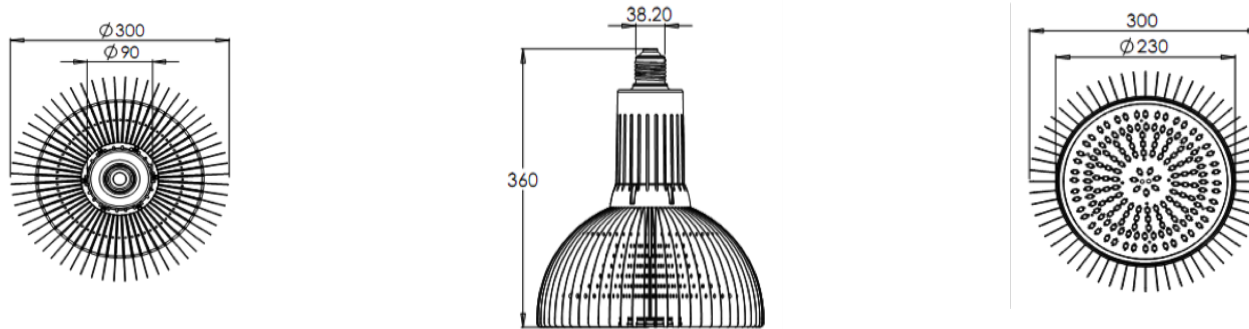
ITEM	ANP-HB			
HIGH BAY - Pure Aluminum 100% Heat Sink				
Wattages	100w	120w	150w	180w
Type	Bracket/Ring/E40	Bracket/Ring/E40	Bracket/Ring/E40	Bracket/Ring/E40
Power Specs				
Voltage	100-265Vac	100-265Vac	100-265Vac	100-265Vac
Current	1.0A	1.2A	1.5A	1.8A
Power	100W	120W	150W	180W
Power Factor	0.95	0.95	0.95	0.95
Life Span	50,000hrs	50,000hrs	50,000hrs	50,000hrs
Weight	2.0kg	3.4.0kg	3.4.0kg	3.4.0kg
Beam Angle	120/90/60/30	120/90/60/30	120/90/60/30	120/90/60/30
Install hieght	3-10 mtrs	5-14 mtrs	5-14 mtrs	5-14 mtrs
IP Protection	IP 65	IP 65	IP 65	IP 65
Environment Specs				
Operation Temp.	-20-60+	-20-60+	-20-60+	-20-60+
Storage Temp.	-20-60+	-20-60+	-20-60+	-20-60+
Operation Humidity	10%-90%	10%-90%	10%-90%	10%-90%
Illumination				
	7200lm	14400lm	18000lm	21600lm
Nichia LED chips	option	option	option	option
Philips LED chips	option	option	option	option
Driver	MeanWell or Philips	MeanWell or Philips	MeanWell or Philips	MeanWell or Philips

Mechanical Specs

ANP-HB 100/120/150/180w - Bracket Type



ANP-HB 100/120/150/180w - E40 Type



ANP-HB 100/120/150/180w - Ring Type

