

DC 24V - Solar street lights

75W-110W

Street light -3000K/4000K/4500K/5000K/5700K

DC FAMILY - 2

DESCRIPTION

- LED street light for 24V DC Solar applications.
- Heat separation of the adapter and LED to lead to longer reliability.
- Waterproof level is IP66 IK08
- Rotation accessory for vertical and horizontal installation.
- Pole transferred kit for 200mm-400mm or 10mm-20mm pole diameter installation (optional).
- Type III light distribution.

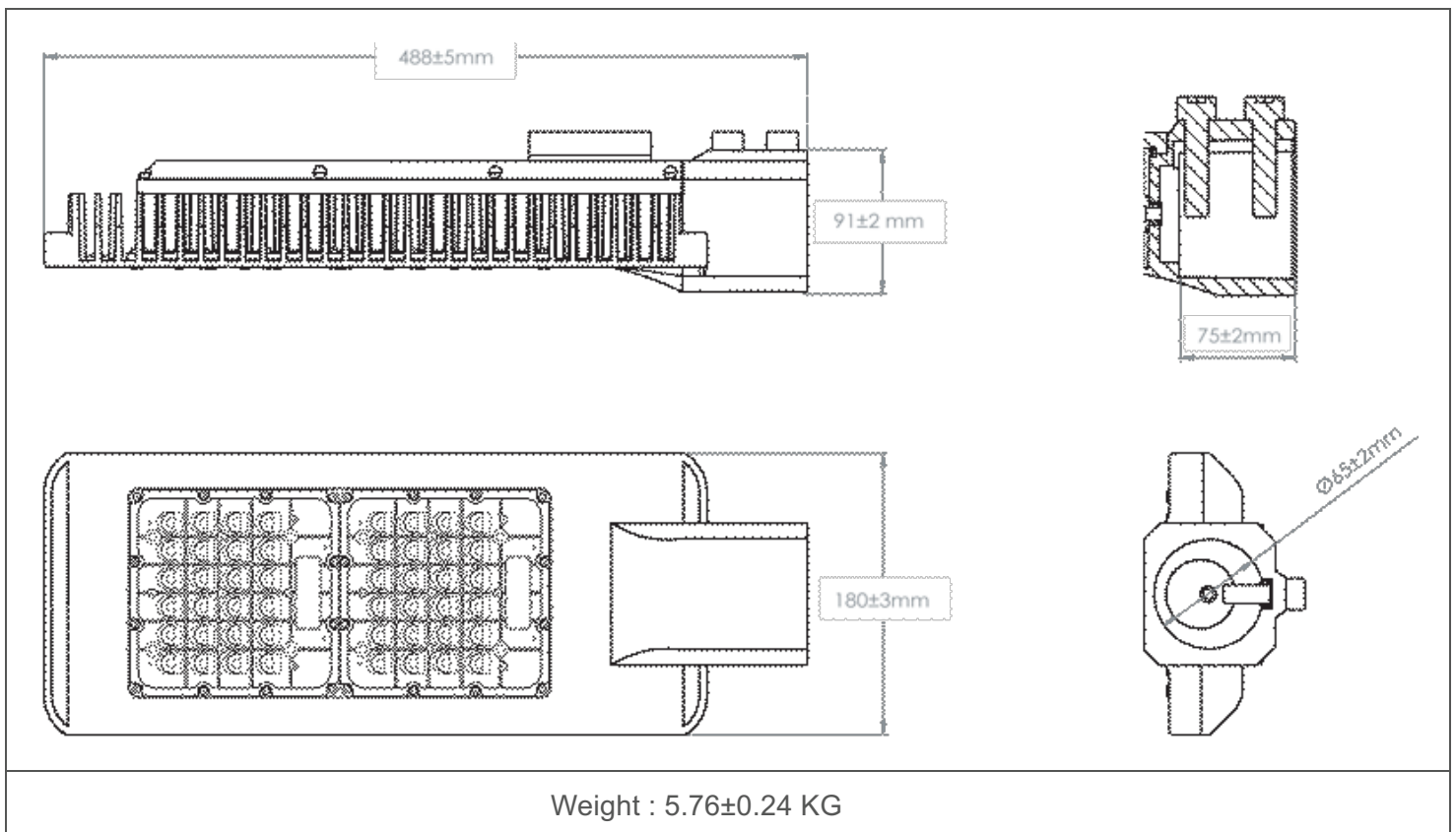
FEATURES

- Extremely robust with aluminum heat sink and PC lens cover
- Different coating of street light body for different applications
- Lumen Efficiency ~3000K/4000K@108lm/W; 4500K/5000K/5700K@115lm/W
- Long life time span up to 50,000 hrs.
- UL/CE certified.

PRODUCT SPECIFICATION

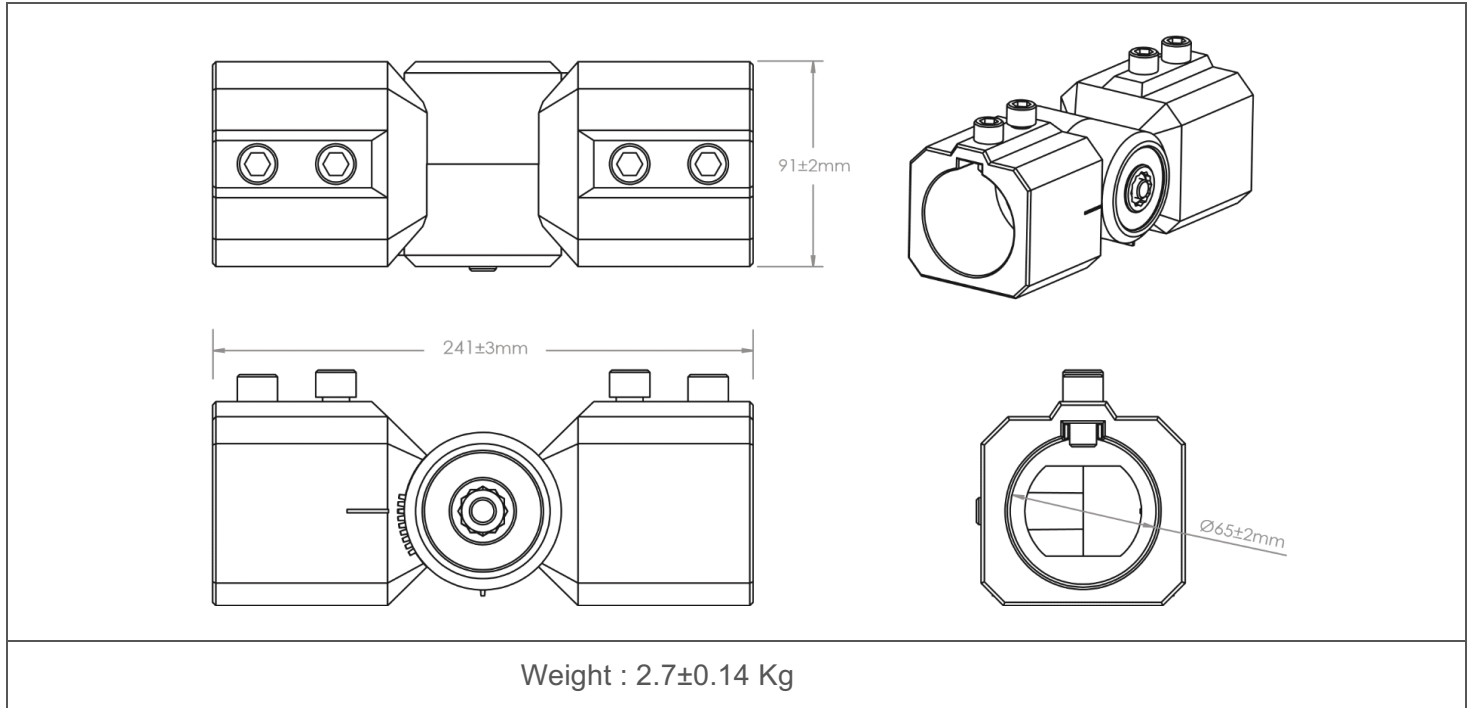
Product Code	SL50B075-2A1	SL50B110-2A1
Power Consumption	75W	110W
Luminous Flux	9,100	13,400
CCT (K)	5000K	
CRI	70	
LED DC Voltage	DC 24 V	
Driving current to LED (mA)	525	750
Total input current (mA)	3150	4500
Efficiency (lm/W)	121	121
IK Level	IK08	
IP Level	IP66	

PRODUCT DIMENSION



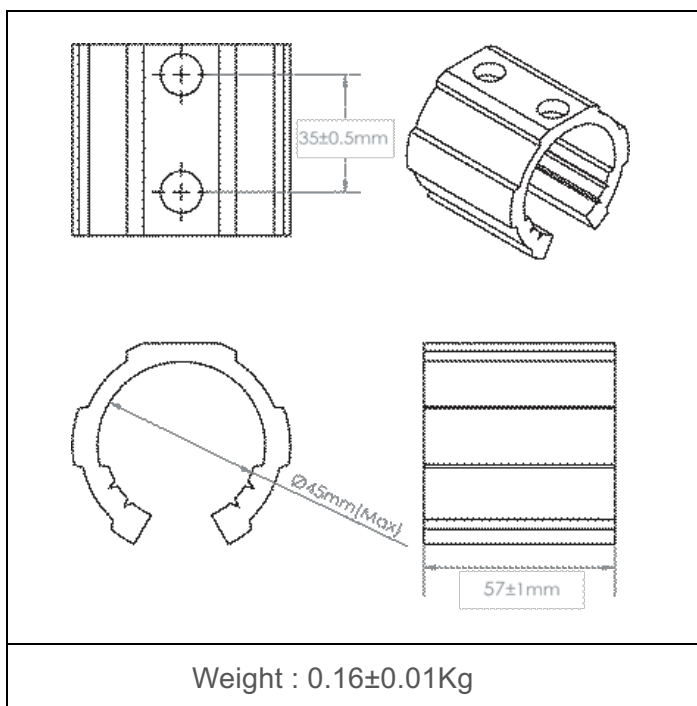
ACCESSORY DIMENSION

Rotation parts for vertical, horizontal, angle adjustment functions

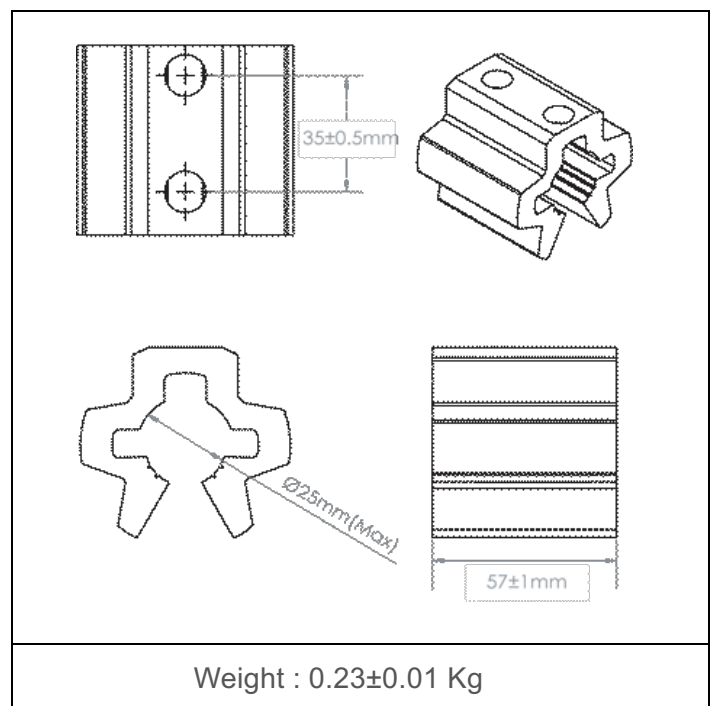


ACCESSORY DIMENSION

Transferred kit for 20mm~40mm pole installation

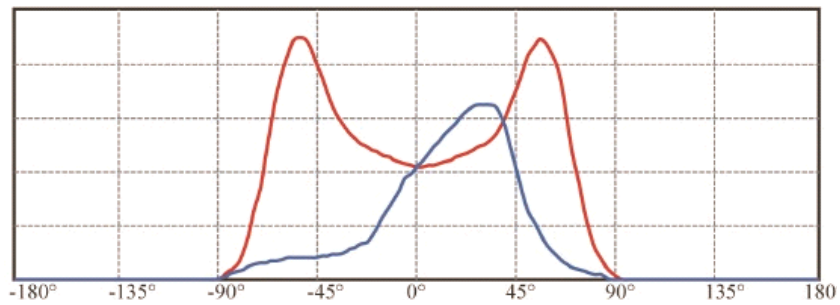
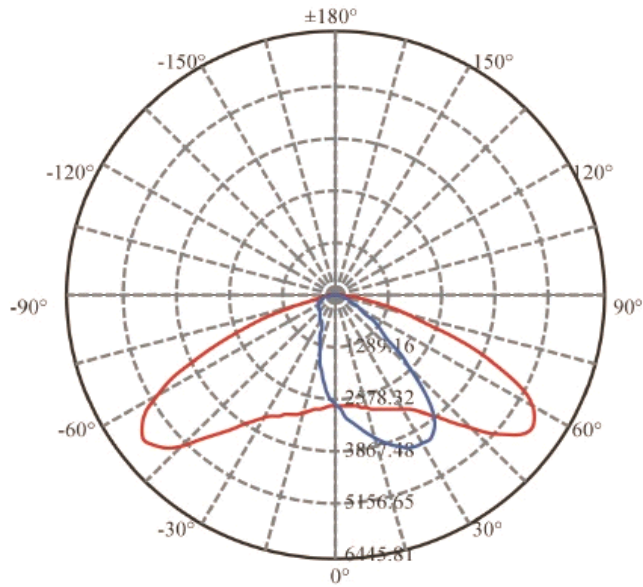


Transferred kit for 10mm~20mm pole installation

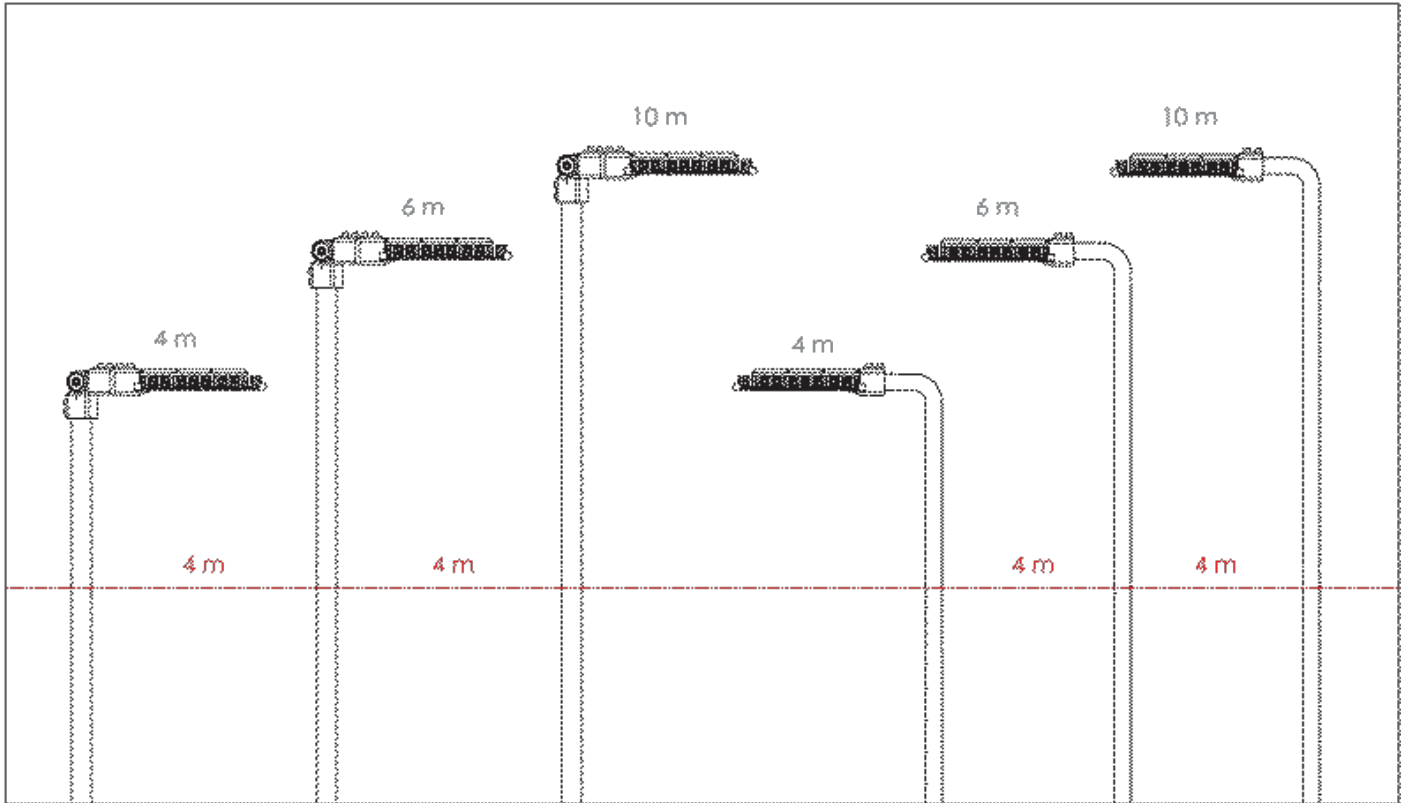


Luminous intensity distribution

@ Ta = 25 °C / 230 VAC / 50 Hz



RECOMMEND HEIGHT AND SPACING



WARRANTY

The warranty is void if

- Incorrect voltage was applied to the product, or the product was installed improperly, or use in abnormal environment, or its precautions were not followed.
- The product was used or operated under special and harsh environments; for example, on the ship, or other corrosive and erosive environments.
- The failure was caused by misbehaviour or carelessness during transportation, delivery, or storage process after purchasing.
- The failure was caused by natural disasters such as earthquake, or nibbles by mice or bugs etc.
- The product is repaired, modified, or altered in any way.

PRECAUTION

- If the external flexible cable or cord of this luminaire is damaged, it should be exclusively replaced by the manufacture or his service agent or a similar qualified person in order to avoid a hazard.
- The luminaire is for outdoor use, but it cannot work in corrosive and erosive environments.
- Operating temperature range : -40°C~+50°C, Storage temperature range : -40°C~+80°C
- Input voltage must comply with the range as specified on charge controller.
- The light source contained in this luminaire shall only replace by the manufacturer or his service agent or a similar qualified person.

S / N CODE

The S/N coder is comprised by the following characters;

S / N : S L X 3 X 4 X 5 X 6 X 7 X 8 X 9 X 10 X 11 X 12 X 13 X 14	
	3 X 4 X 5 - Wattage code
	6 ^X 7 - Year code (18 for 2018)
	8 X 9 - Month code (01 for January)
	10X 11X 12X 13X 14 - Serial code