

# **DC 24V - Solar street lights**

## **54W-60W-66W**

**Street light -3000K/4000K/4500K/5000K/5700K@60WDC**

### **DC FAMILY - 1**

#### **DESCRIPTION**

- LED street light for 24V DC Solar applications.
- Heat separation of the adapter and LED to lead to longer reliability.
- Waterproof level is IP66 IK08
- Rotation accessory for vertical and horizontal installation.
- Type II short light distribution.

#### **FEATURES**

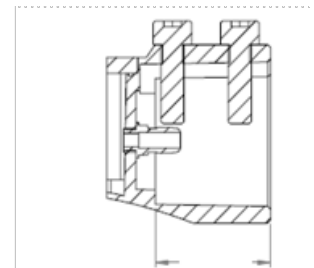
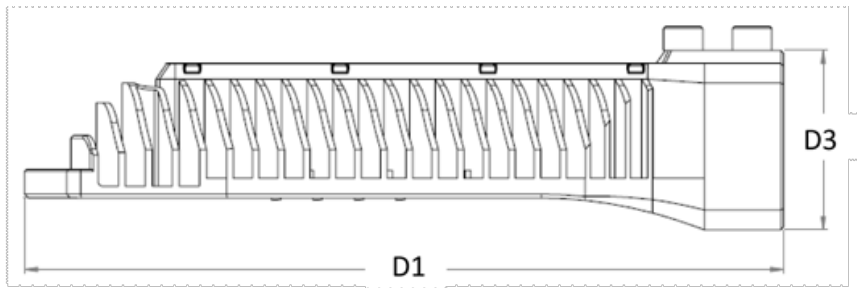
- Extremely robust with aluminum heat sink and PC lens cover
- Different coating of street light body for different applications
- Lumen Efficiency ~3000K/4000K@108lm/W; 4500K/5000K/5700K@115lm/W
- Long life time up to 50,000hrs

**Electro-optical Characteristics @ T<sub>A</sub> = 25°C**

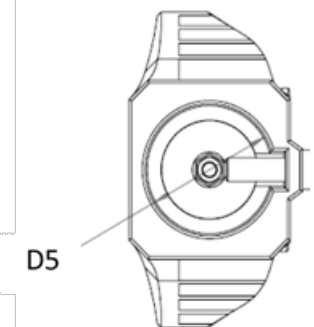
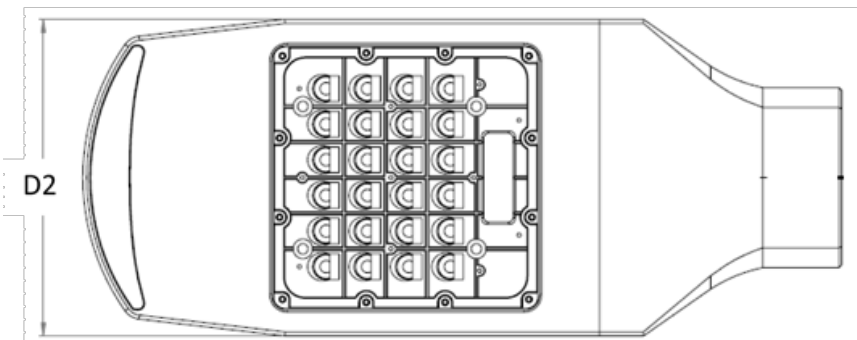
<b>Power Consumption (W)</b>	<b>54</b>	<b>60</b>	<b>66</b>
<b>Luminous Flux (lm)</b>	<b>6210</b>	<b>6900</b>	<b>7200</b>
<b>CCT (K)</b>	<b>2700 - 6000</b>		
<b>CRI</b>	<b>65 - 70</b>		
<b>DC Voltage (V)</b>	<b>DV 24V</b>		
<b>Total input current (mA)</b>	<b>3145</b>	<b>3300</b>	<b>3465</b>
<b>Efficacy (lm/W)</b>	<b>98</b>	<b>108</b>	
<b>IK level</b>	<b>IK 08</b>		
<b>IP level</b>	<b>IP 66</b>		

## Mechanical Characteristics

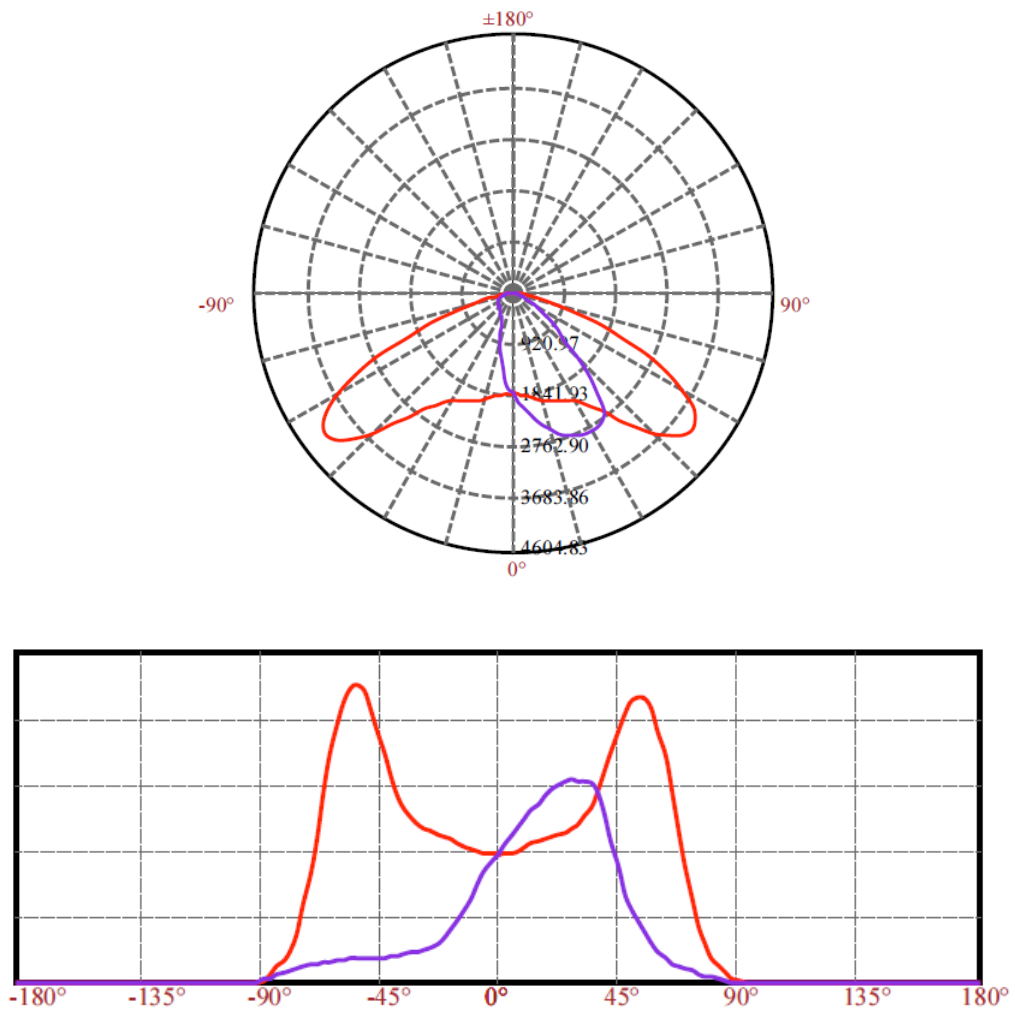
Item	Unit	Min	Typical	Max	Remark
SL Length (D1)	mm	-	385	387	
SL Width(D2)	mm	-	160	161	
SL Height (D3)	mm	-	91	92	
Pole depth(D4)	mm	59	60	-	
Pole diameter(D5)	mm	64	65	-	
SL Weight	Kg	-	3.9	4	



Top view



## luminous distribution



**Operating Environment**

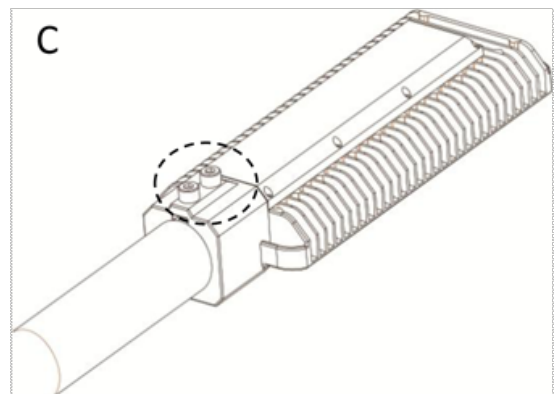
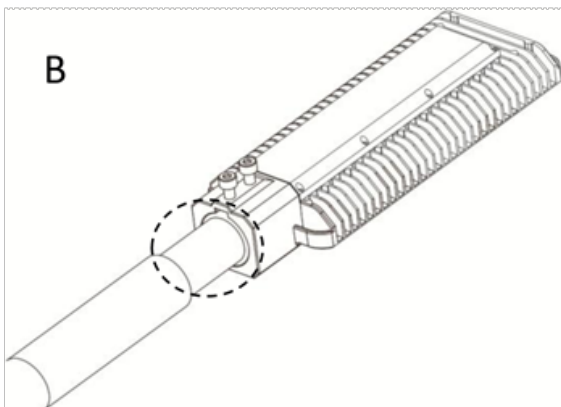
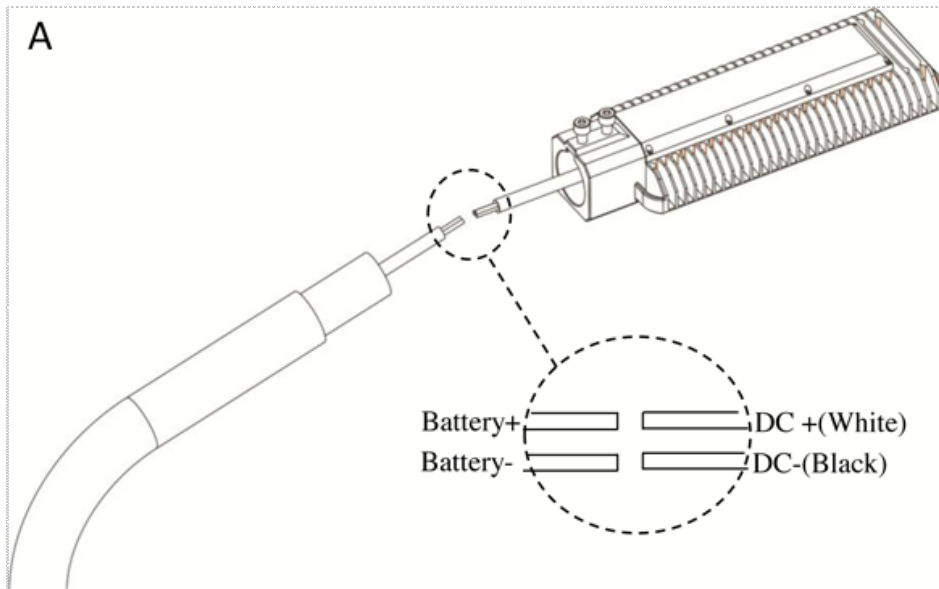
	Max rating value
Lead temperature of LED	<105°C
Storage temperature range	-40°~+80°C
Operating temperature range	-40°~+50°C
LED Lifetime	50000hrs

**Safety and Application notes**

1. The LED street light must not be damaged or operated in a damaged condition.
2. PC lens cannot withstand the impact over IK06.
3. Light distribution of LED street light is type II short.
4. The effective energy savings depend on the efficiency of the luminaire setup to be replaced and should be considered individually in each case.
5. It cannot work in gas and explosion environments.

## Installation Options / Guideline

1. Make sure that the supply voltage is disconnected
2. Connect DC input to street light cable which is 18AWG x 2C as figure A.
3. If the wires need to be extended, please make sure wire connection with double isolation.
4. Insert the pole into the street light as figure B
5. Use M12 hex wrench to fix as figure C
6. Turn on DC voltage to check the light distribution on streetlight



## S/N Code

The S/N coder is comprised by the following characters;

S/N: SL X<sub>3</sub> X<sub>4</sub> X<sub>5</sub> X<sub>6</sub> X<sub>7</sub> X<sub>8</sub> X<sub>9</sub> X<sub>10</sub> X<sub>11</sub> X<sub>12</sub> X<sub>13</sub> X<sub>14</sub>

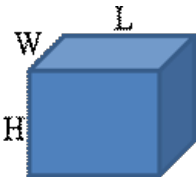
X<sub>3</sub> X<sub>4</sub> X<sub>5</sub> - Wattage code (060 for 60W)

X<sub>6</sub> X<sub>7</sub> - Year code (18 for 2018)

X<sub>8</sub> X<sub>9</sub> - Month code (01 for January)

X<sub>10</sub> X<sub>11</sub> X<sub>12</sub> X<sub>13</sub> X<sub>14</sub> - Serial code

## Packaging

Packing Design		Weight
	<p>Q'ty = 1 pcs            Volume: 0.47 CUFT            Size: 458 (L) x 213 (W) x 135 (H)            Mm</p>	<p>DC24V-FAMILY 1.            Net weight: 3.9Kg            Gross weight: 4.43Kg</p>